

VEROLINE® PI v2

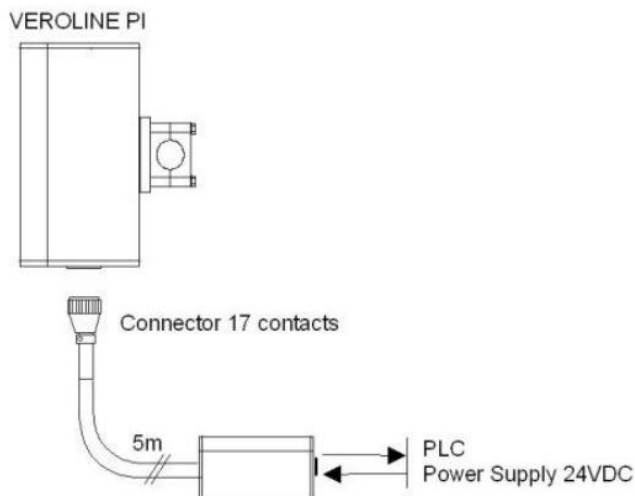
Connecting cable for VEROLINE sensors:

PRESENTATION

This connecting cable offering an simply and durably interface between VEROLINE sensors et PLC.

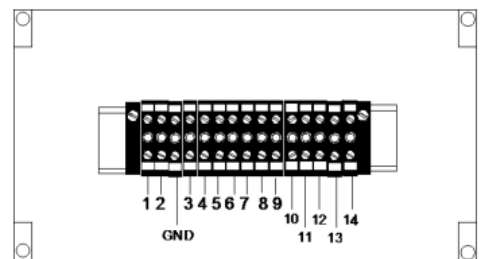
Advantage:

Especially developed for the harsh environments, it becomes easy to test all the functionality directly near to the VEROLINE PI sensor, usually installed in difficult areas under the coke machines. It also offers an electric circuit breaker to protect the sensor connected.



Main technical data :

Alimentation :	24 VDC / 10 % 2A
Operating temperature :	-20° C to +70° C
Protection :	IP 65
Weight :	5.2 kg
Dimensions (mm):	200*200*155
Material:	Metal Paint
Compatible:	VEROLINE PI VEROLINE I VEROLINE PI Plus VEROLINE PI S
Reference:	ELV 0400,07



1	+ 24 VDC	Red
2	0 VDC	Blue
3	Signal 4...20 mA	Brown
4	Gnd 4...20 mA	White
5	Dry contact middle point	White gray
6	Dry contact middle point	Gray Brown
7	Dry contact Error T°	Red blue
8	Dry contact Error T°	Gray pink
9	Contact Opto Power Supply +12/48 VDC	Pink
10	Contact Opto Output	Gray
11	Contact Opto Power Supply 0 V DC	Yellow
12	RS 485 TX +	Purple
13	RS 485 TX -	Black
14	GND RS 485	Green